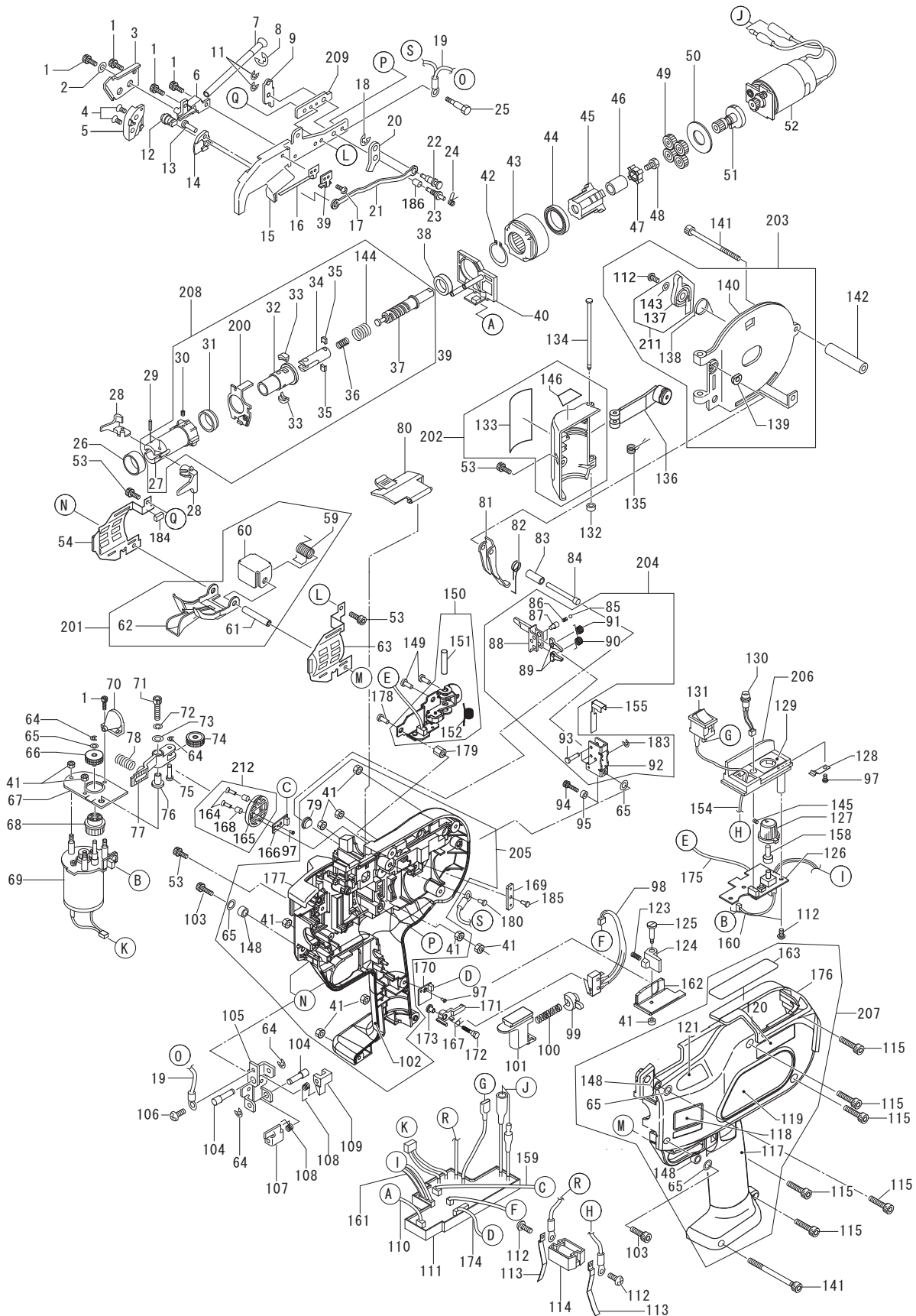


RB215

RE-BAR TYING TOOL



RB215 (CE) - Parts List

Part No.	Part Code	Description
1	BB40481	BOLT 3X5
2	EE31122	WASHER 3X7
3	RB10526	ARM B
4	AA22005	SCREW M3X5
5	RB10525	WIRE GUIDE A
6	RB10528	WIRE GUIDE B
7	RB10529	PIPE
8	JJ10509	E-RING 4CF
9	RB10385	CUTTER LEVER B
11	JJ10109	E-RING 2
12	RB10379	FIXED CUTTER
13	FF41724	PIN 1724
14	RB10378	CUTTER
15	RB10523	ARM A
16	RB10540	LEAF SPRING
17	AA25113	PAN-HEAD SCREW 2X4
18	JJ10514	E-RING 3 CF
19	RB11695	GROUND WIRE
20	RB10384	CUTTER LEVER A
21	RB10530	CONNECTING ROD
22	RB10392	PIN
23	RB11846	SHAFT
24	KK33370	SPRING 3370
25	RB10437	ARM FIXING SCREW
26	RB10348	SLEEVE GUIDE
27	RB10346	SLEEVE B
28	RB11102	HOOK
29	RB81113	WS PIN 2.5X10
30	AA71408	SCREW 3 X 3
31	RB10332	CUTTER RING GUIDE
32	RB10490	SLEEVE A
33	RB10026	KEY
34	RB10355	TIP AXIS B
35	RB10115	KEY B
36	KK23730	COMP. SPRING 3730
37	RB10494	TIP AXIS A

38	RB10495	BUMPER
39	RB11141	REAF SPRING GUIDE
40	RB81047	TIP AXIS GUIDE ASSY
41	CC41104	HEX.NUT 1-3 FOR HD-12/17(FORMER CC41405)
42	JJ21603	C-RING 20
43	RB10338	INTERNAL GEAR
44	LL11181	WHEEL 6704
45	RB10327	PLANET GAUGE UNIT
46	FF51632	PIN 1632
47	RB10344	KEY PLATE
48	BB40427	T-BOLT 4 X 8(REPLACES TA15544)
49	RB10341	PLANET GEAR
50	RB10484	GEAR PRESS WHEEL
51	RB10438	SUN GEAR UNIT
52	RB81129	MOTOR RS-550VF-PO
53	BB40410	BOLT 3X8
54	RB70181	COVER L
59	KK33340	SPRING 3340
60	RB10502	CURL GUIDE COVER
61	RB10394	STOPPER SHAFT
62	RB70192	CURL GUIDE
63	RB10544	COVER R
64	JJ10113	E-RING 2.5
65	EE32104	WASHER 2-3
66	RB10357	FEEDING GEAR B1
67	RB10330	PARTITION PLATE
68	RB81053	FEEDING GEAR ASSY
69	RB70238	MOTOR RS-3644-E
70	RB10364	WIRE GUIDE C
71	BB40420	BOLT 4 X 16
72	EE11103	SPRING WASHER 2-4
73	EE39825	WASHER 4.5X7.4X0.8
74	RB10359	FEEDING GEAR B2
75	FF41809	STEP PIN 1809
76	FF51628	HOLLOW PIN 1628
77	RB10362	RELEASE LEVER
78	KK23658	COMP.SPRING 3658
79	RB10480	PLATE A
80	RB10365	WINDOW

81	RB70274	REEL PRESS
82	KK33277	TORSION SPRING 3277
83	FF51629	PIN 1629
84	FF41823	STEP PIN 1823
85	LL71201	SPACER 2
86	KK23733	COMPRESSION SPRING 3733
87	FF41723	STEP PIN 1723
88	RB10476	BRAKE LEVER
89	RB10478	BRAKE JAW
90	KK33279	TORSION SPRING 3279
91	KK33278	TORSION SPRING 3278
92	RB11049	BRAKE LEVER HOUSING
93	FF41826	STEP PIN 1826
94	RB10443	HOUSING SCREW
95	EE39620	RUBBER WASHER 4X7X2.5
97	AA31714	SCREW 2X4
98	RB70165	TRIGGER SWITCH
99	RB10855	TRIGGER LOCK
100	KK23656	COMPRESSION SPRING 3656
101	RB10854	TRIGGER
102	RB10409	GRIP COVER L
103	BB40425	BOLT 3X10
104	FF41822	STEP PIN 1822
105	RB10370	JAW BASE
106	AA02501	+ PAN HEAD SCREW 3X5 WITH WASHER
107	RB10369	JAW B
108	KK33249	TORSION SPRING 3249
109	RB10368	JAW A
110	RB70174	HARNES 3P-A UNIT
111	RB70396	MAIN PWB UNIT
112	AA31721	SCREW 3X6
113	FS12231	ELECTRODE PLATE
114	FS12232	ELECTRODE BLOCK
115	BB40810	BOLT 3X16
117	RB10410	GRIP COVER R
118	RB11694	LABEL, GURL GUIDE
119	RB11094	LABEL RB-215
120	RB10423	LABEL, MAIN SWITCH
121	RB10425	USAGE LABEL

123	KK23561	COMPRESSION SPRING 3561
124	RB10852	RELEASE STOPPER
125	RB10043	STEP PIN
126	RB70386	SUB PWB UNIT (RB395)
127	RB10853	TORQUE DIAL
128	RB11700	TORQUE SPRING
129	RB10550	LABEL, FEED CONTROL
130	RB70168	LED UNIT
131	RB70245	MAIN SWITCH UNIT
132	EE39609	RUBBER WASHER 1.8X6X2
133	RB11045	WARNING LABEL
134	FF41821	STEP PIN 1821
135	KK34067	TORSION SPRING 4067
136	RB81052	REAL HOLDER ASSY
137	RB11046	REAL STOPPER
138	KK34066	TORSION SPRING 4066
139	RB10481	WHEEL B
140	RB10436	REAL STAY
141	BB40818	BOLT 3X60
142	RB10366	JOINT, REEL MAGAZINE
143	EE39907	WASHER 3.1X12X0.8
144	KK23738	COMP. SPRING 3738
145	AA74410	SCREW 3X6
146	RB10493	LABEL, WIRE SETTING
148	FF51652	PIN 1652
149	BB41406	SCREW 4X8
150	RB81051	SENSOR
151	FF31563	PIN 1563
152	KK33335	SPRING 3335
154	RB70233	MAIN SWITCH CORD UNIT
155	RB11050	BRAKE COVER
158	RB10537	JOINT, DIAL
159	RB70167	HARNESS 4P-C UNIT
160	RB70175	HARNESS 3P-B UNIT
161	RB70166	HARNESS 11P UNIT
162	RB11036	STOPPER BASE
163	RB11693	WARNING LABEL
164	AA21408	PAN HEAD SCREW 3X8
165	RB11064	REEL GUIDE

166	RB70323	SENSOR PWB C UNIT
167	KK33336	SPRING 3336
168	FF51652	PIN 1652
169	RB11687	NUT PLATE
170	RB70324	SENSOR PWB D UNIT
171	RB70153	SWITCH LEVER
172	RB11686	SWITCH LEVER PIN
173	FF52111	PIN 2111
174	RB70176	HARNESS 3P-D UNIT
175	RB70227	HARNESS 3P-E UNIT
176	RB11085	PROTECTOR B
177	RB11803	PROTECTOR A
178	BB40448	BOLT 4 X 6 T29036/T29062(REPLACES TA15543)
179	RB11697	SPACER L10
180	AA02707	SCREW 4X8
183	JJ21904	C-RING 2.2
184	RB11705	SPONGE D
185	AA31102	P HEAD SCREW 3X6
186	FF51686	PIN 1686
200	RB80030	CUTTER RING ASSY
201	RB70191	GURL GUIDE ASSY
202	RB81015	MOTOR COVER A ASSY
203	RB81044	REEL STAY ASSY
204	RB81017	BRAKE HOUSING ASSY
205	RB81071	FRAME L ASSY
206	RB11101	SWITCH BASE
207	RB70187	FRAME R ASSY (CE)
208	RB80067	TWISTER ASSY
209	RB10547	ARM PALTE B
211	RB81124	REEL STOPPER ASSY
212	RB81128	REEL GUIDE ASSY